



RON Crane Scales

Measuring Excellence



RON 2000 Shackle Type - Dynamometer with Remote Display

The RON 2000 Shackle Type is the smallest and lightest digital dynamometer. The RON 2000 digital dynamometer is a basic, easy-to-operate and very reliable tension load meter. Digital dynamometers are used for weighing, force, tension, load measuring and load control.

The RON 2000 digital dynamometer has a small load cell which ensures portability and minimum headroom loss for any application.

The load cell's unique perpendicular hole structure neutralizes external moments and thus improves safety and accuracy.

The batteries will function for at least 2000 hours!

The RON 2000's indicator is separated from the load cell and is held by the user. This separation ensures the user's safety since under no circumstances will he have to approach the load in order to read the result. This separation also guarantees the durability of the dynamometer.

All RON crane scales and dynamometers are factory-tested and supplied with a test certificate, including a fully traceable calibration chart.



Shackles not included

Specifications

Safety Factor: Designed to 5:1.

Proof Load: Each system proof-loaded to 200% of capacity (certified) up to a test force of 400t.

Accuracy: ±0.1% of full range.

Display: 5 digit: 1/2" (12mm), liquid crystal display and annunciator; two-level overload state, max. value (peak hold), low battery, tare state (gross or net), measuring units, sleep mode, charge, and programming instructions. Standard number of measurements per second: 1.

Functions: Zero. Tare. Low battery warning. Max. (peak hold). Two-level overload visual alarms. User calibration. Sleep mode after 60 sec. at zero value, awakes automatically when loaded.

Units: Available in the following measurement readings: metric tons,

short tons (2000 lbs), kgs, lbs (lbs x 10 for capacities of 50t and above), newtons, deca newtons, k. newtons.

Load Cell Material: Made of high-strength, aerospace quality, alloy steel, polyurethane coated.

Indicator Material: High quality ABS.

Power: 3 x AA ("finger") 1.5 Volt, Alkaline disposable batteries. Batteries rated 3AH will function for at least 2000 hours (at least three months of continuous working). Occasional use will extend the life of the batteries up to several years. Adding certain options will shorten the life of the batteries. All settings retained at power off.

Calibration: User calibration. Initial factory calibration, fully traceable (certified).

Temperature Range: -15°F to +175°F (-25°C to +80°C).

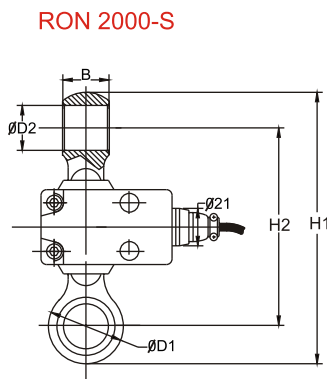
Environmental: Weatherproof, NEMA4, IP65.

Options

- Additional spare cable in 15ft/5m increments
- Carrying case
- Dampened (average) display for unstable load
- Fatigue rated load cell
- Indicator belt clip
- IP 67 load cell with special off-shore connectors
- IP 68 load cell with underwater capability
- Longer extension cable in 15ft/5m increments
- Number of measurements per second: 2/3/4/5/6/7/8/20/30, factory set
- Rechargeable batteries, with an external charger for charging the batteries inside the system.



Optional carrying case



Cat. No.	Full Range	Resolution		Load Cell Weight		Cable Length		h1 (max.)	h2 (max.)	b (max.)	Ø d1 (max.)	Ø d2 (min.)	Matching anchor Shackles size*					
		tons.	kgs	lbs	kgs	lbs	m							ft	mm	inch	mm	inch
S-005	0.5	0.2	0.5	0.3	0.7	5	16	125	4.9	92	3.7	16	0.7	31	1.3	17	0.66	1/2, 7/16, 3/8
S-01	1	0.5	1	0.3	0.7	5	16	125	4.9	92	3.7	16	0.7	31	1.3	17	0.66	1/2, 7/16, 3/8
S-02	2	1	2	0.3	0.7	5	16	125	4.9	92	3.7	16	0.7	31	1.3	17	0.66	1/2, 7/16, 3/8
S-03	3	1	2	0.3	0.7	5	16	140	5.5	100	4	19	0.75	38	1.5	21	0.82	5/8, 1/2
S-05	5	2	5	0.5	1	5	16	150	5.9	105	4.2	26	1	45	1.75	23	0.9	3/4, 5/8
S-10	10	5	10	1.4	3.1	5	16	200	7.9	135	5.3	41	1.6	63	2.5	36	1.4	1 1/4, 1 1/8, 1
S-12	12.5	5	10	1.4	3.1	5	16	200	7.9	135	5.3	41	1.6	63	2.5	36	1.4	1 1/4, 1 1/8, 1
S-15	15	5	10	2.5	5.5	5	16	225	8.8	145	5.7	53	2.1	75	3	40	1.55	1 3/8
S-20	20	10	20	2.5	5.5	5	16	225	8.8	145	5.7	53	2.1	75	3	40	1.55	1 3/8
S-25	25	10	20	3.5	7.7	5	16	240	9.4	150	5.9	58	2.3	87	3.4	44	1.7	1 1/2
S-30	30	10	20	3.5	7.7	5	16	240	9.4	150	5.9	58	2.3	87	3.4	44	1.7	1 1/2
S-40	40	20	50	7.7	17	10	32	320	12.6	195	7.7	71	2.8	115	4.5	60	2.3	2, 1 3/4
S-50	50	20	50	7.7	17	10	32	320	12.6	195	7.7	71	2.8	115	4.5	60	2.3	2, 1 3/4
S-80	80	50	100	18	40	10	32	405	16.9	255	10	97	3.8	145	5.7	76	3	2 1/2
S-125	125	50	100	27	60	15	49	460	18.2	290	11.5	121	4.8	165	6.5	81	3.18	CROSBY No. 2160 125t
S-200	200	100	200	55	121	15	49	575	22.6	350	13.8	145	5.7	210	8.3	106	4.2	CROSBY No. 2160 200t
S-250	250	100	200	103	227	15	49	850	33.5	510	20.1	178	7.0	254	10	133	5.2	CROSBY No. 2140 250t or No. 2160 300t
S-300	300	100	200	103	227	15	49	850	33.5	510	20.1	178	7.0	254	10	133	5.2	CROSBY No. 2160 300t

* USE SHACKLES WITH S.W.L. (SAFE WORKING LOAD) EQUAL TO, OR GREATER THAN SYSTEM'S FULL RANGE.

* The company reserves the right to make changes without notice.