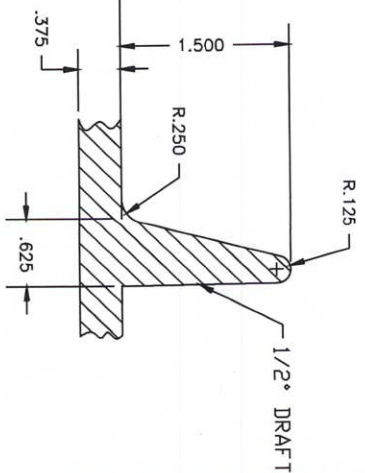


MATERIAL:  
 CAST: 365 T-6  
 FINISH: TUMBLE + DEBURR  
 HARD COAT ANODIZE



STUD DETAIL (TYP.)

<b>TOLERANCES</b> DECIMAL ANGULAR ±.005 ±.5° FRACT HOLE DIA ±1/64" ±.006			17 PECKHAM DRIVE Bristol, RI 02809 (401) 293-4858 Ph (401) 293-2952 Fax info@hallspars.com Email www.hallspars.com	
166 SECTION STEP CAST SCALE 1 : 1 PART NO. PR-8322			DRAWN BY DBB DATE 12/16/04	DATE 12/16/04 SCALE 1 : 1 PART NO. PR-8322

REV EOD DESCRIPTION DATE